

Square Dance

Supplies

- ~ one Charm Pack (grouping of 5" squares)
- ~ one Square Dance ruler (instructions included to make your own)
- ~ 1/2 yd of fabric for the Floating Border (4" wide)
- ~ 1 yd of fabric for the Outer Border (5" wide)

Sewing Instructions

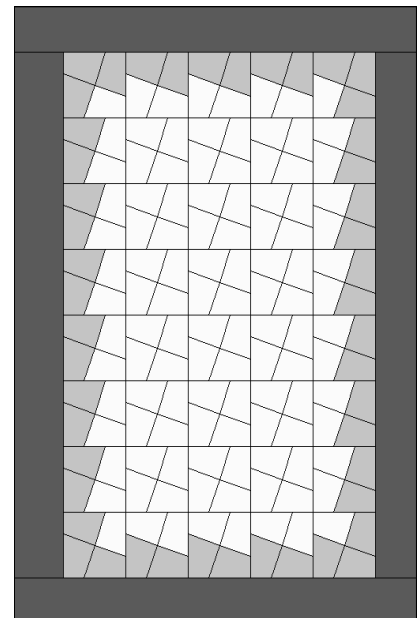
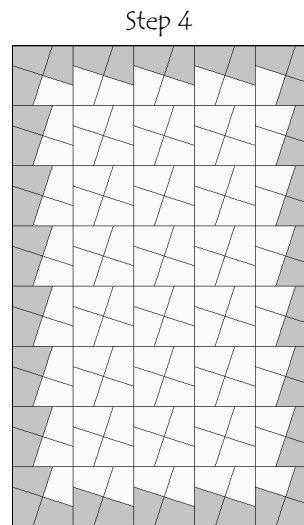
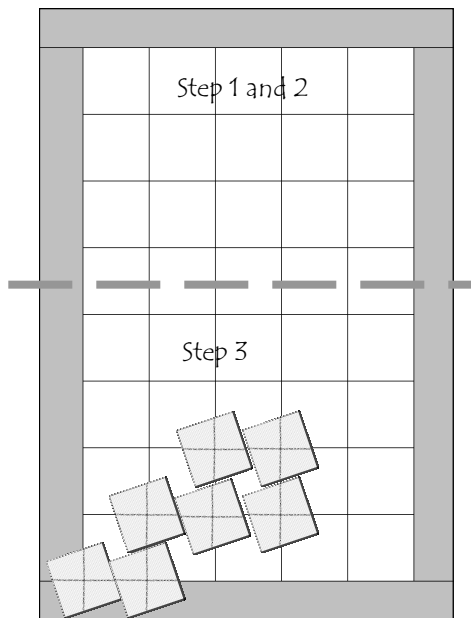
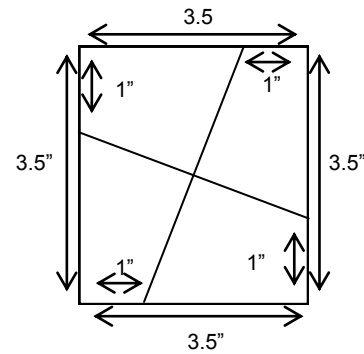
- Step 1 Sew all your charm pack squares together into the desired length and width.
- Step 2 Then add the floating border. Sides first, then the top and bottom.
- Step 3 Using your Square Dance ruler, line up your intersection with your block seams and cut out new blocks.
- Step 4 Sew all your quilt blocks back together.
- Step 5 Add the outer border. Sides first, then the top and bottom.

Quilt, Bind, Enjoy!

How to make your own Square Dance ruler.

- Acrylic ruler 4" or larger

Using a Plastic Template Marking Pencil follow the dimensions shown here. On the top of your ruler draw the 3.5" square and the intersecting lines. These lines will rub off when you are done - with a little elbow grease and a paper towel.



Square Dance was introduced to me in spring 2008 at a quilt shop in Iowa. This concept is an easy way to make a challenging looking quilt. It's perfect for those pieces of fabric that you don't want to cut up or you just have no idea what to do with them.

This concept comes from the book titled Square Dance/Revised Edition by Martha Thompson 2005. Published by Martingale & Company/That Patchwork Place. The book is no longer in print but by going to the following website you can pay to download a copy of the book: www.martingale-pub.com. On the left-hand side you'll see Digital Downloads. I had to go to page 2 and the cost is \$10.99. **Well worth it!** Doug Leko